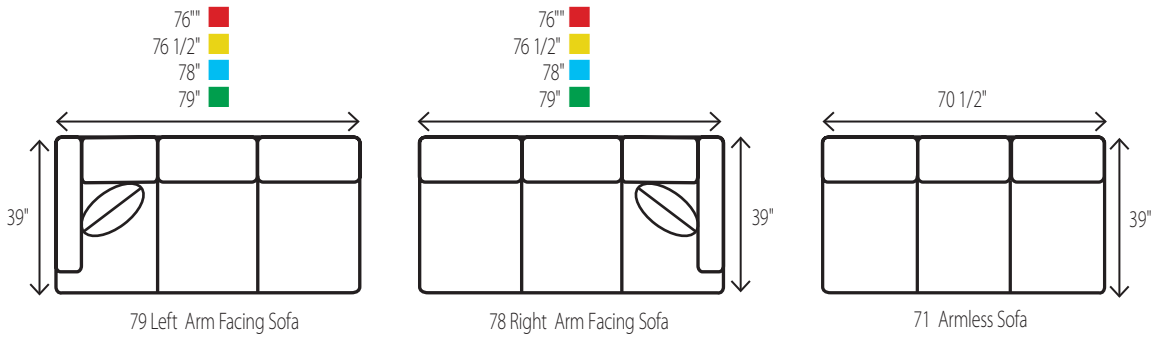
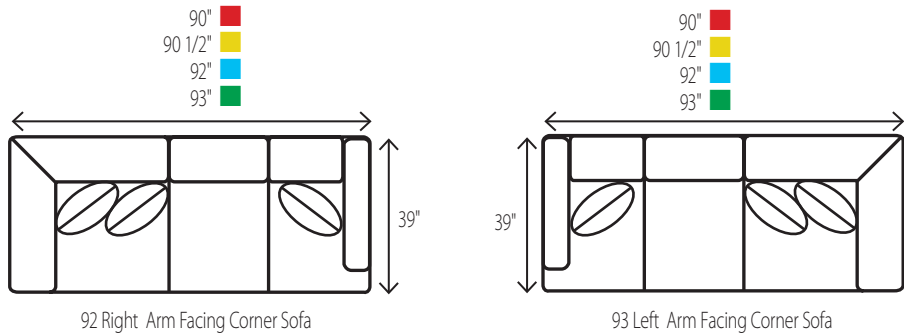
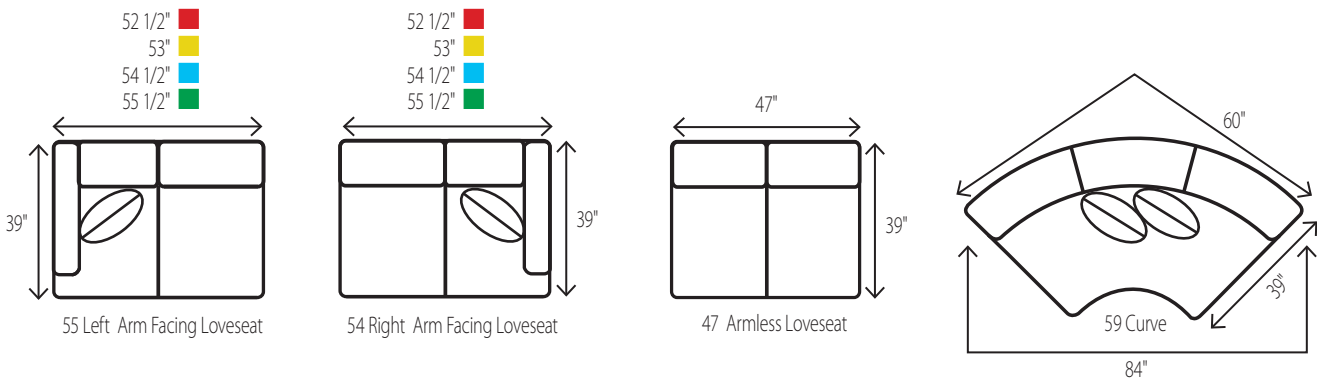
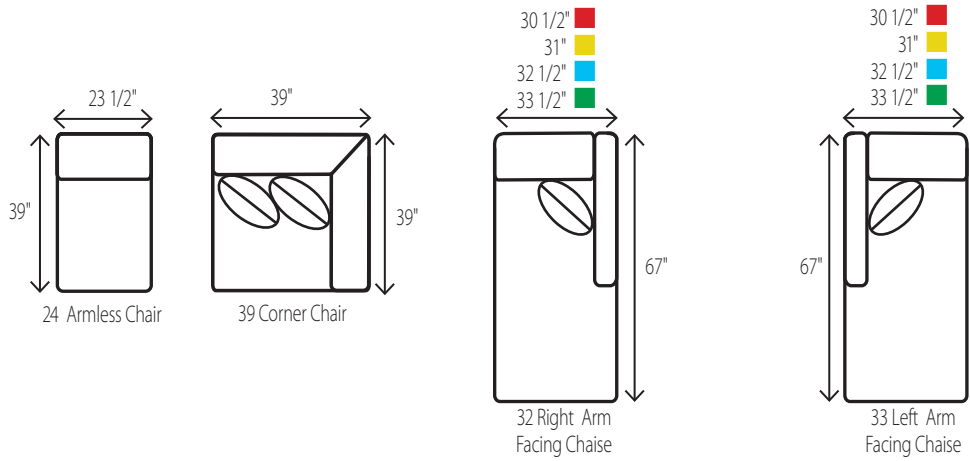


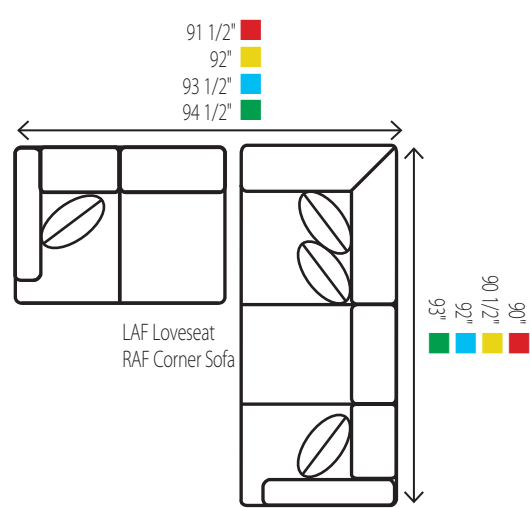
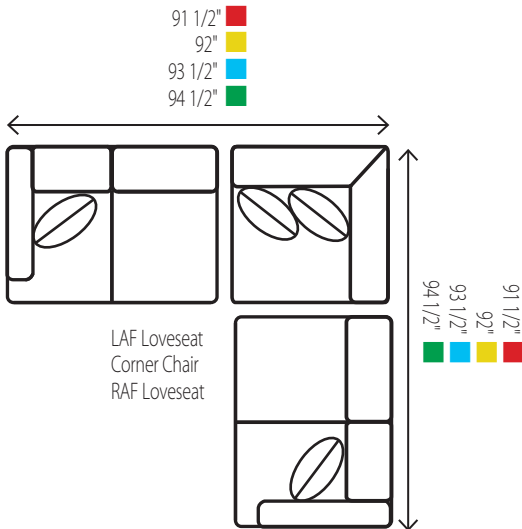
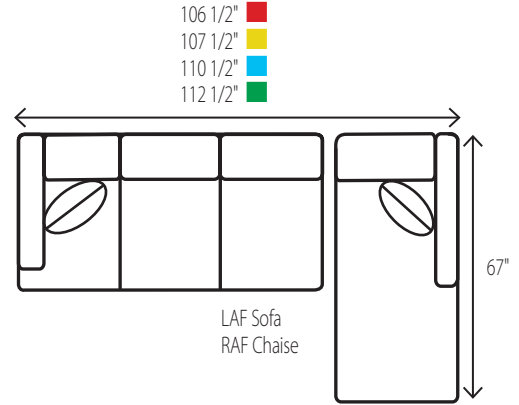
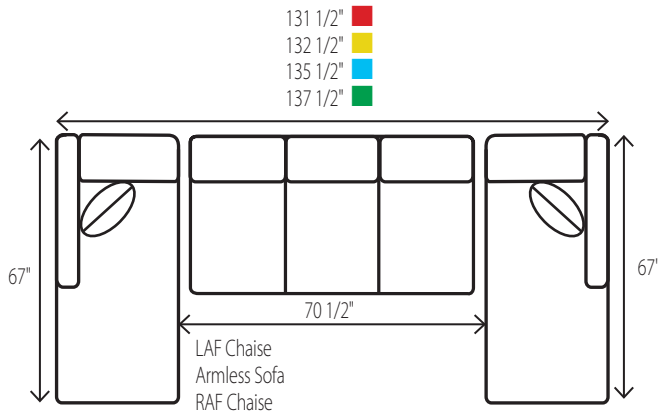
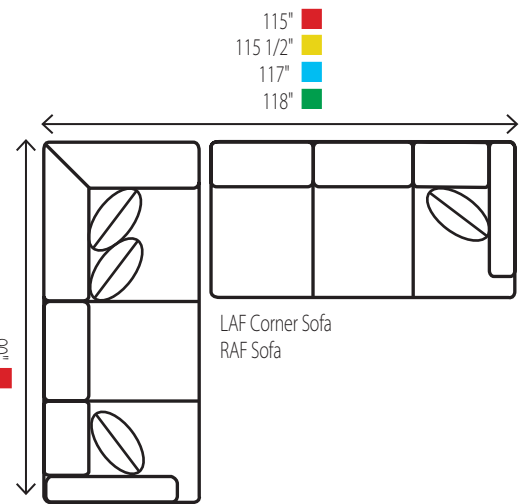
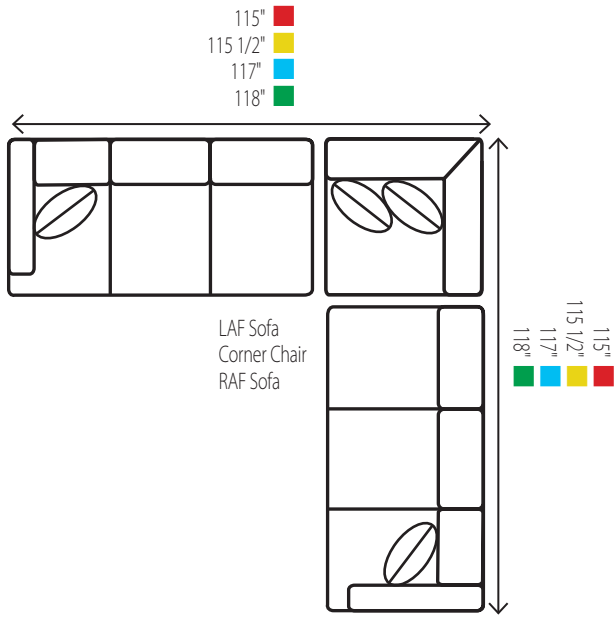
SIGNATURE ELEMENTS SECTIONAL COMPONENTS



- KEY:
- CAP, TRACK, TRACK W/T
 - ENGLISH
 - ROLLED PANEL, RECESSED PANEL, KEY, ROLLED PLEAT
 - SOCK

Scale: 1/4" = 1'

SIGNATURE ELEMENTS POPULAR SECTIONAL CONFIGURATIONS



- KEY:
- CAP, TRACK, TRACK W/T
 - ENGLISH
 - ROLLED PANEL, RECESSED PANEL, KEY, ROLLED PLEAT
 - SOCK

Common Dimensions – Outside: D* 39" H 37" – Inside: D* 21" H 19 1/2" – Seat: H 19 1/2"
 *These schematics are drawn using our Standard overall depth of 39".
 All sectional pieces are also available in our extended seating option of 42" overall, 24" inside.