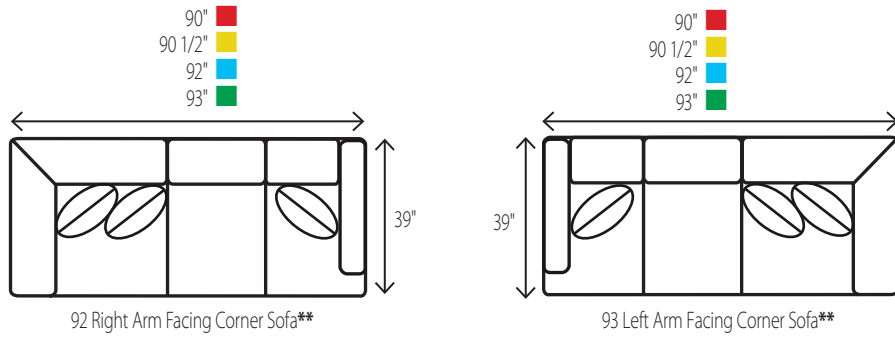
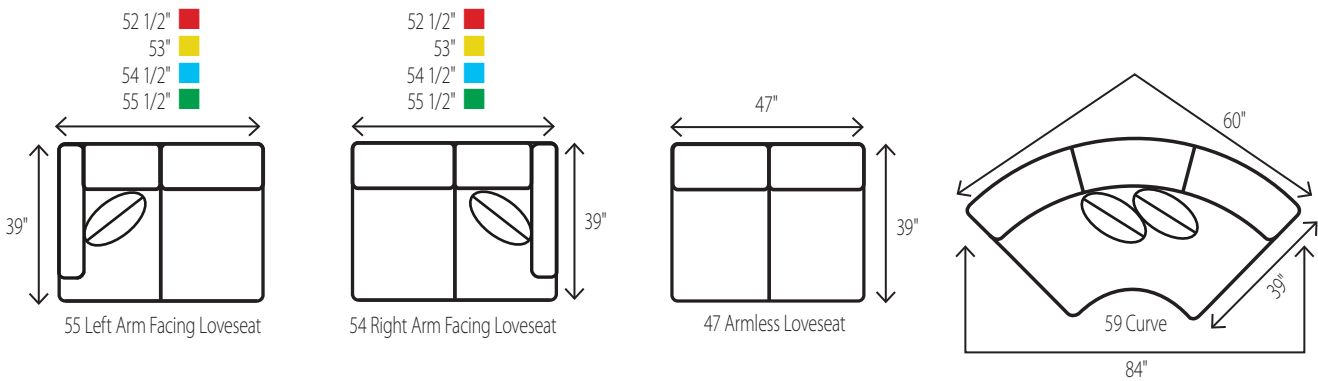
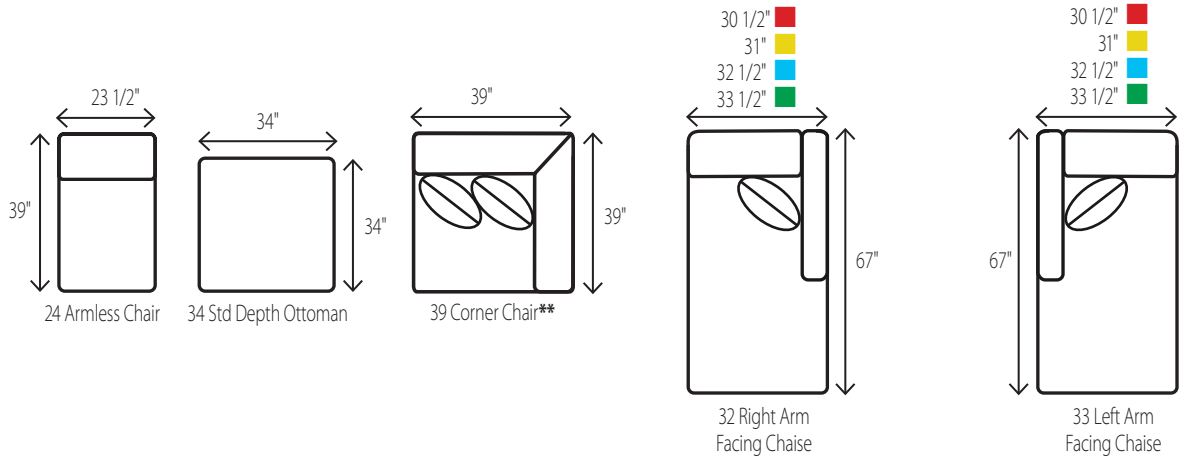
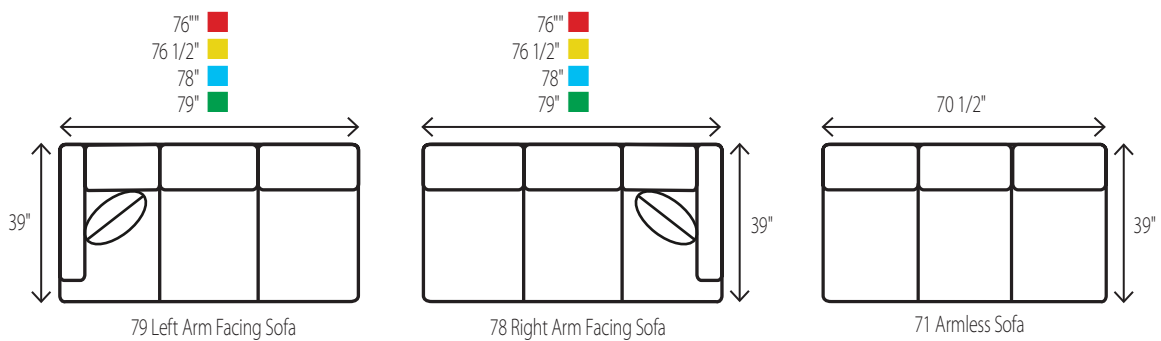


SIGNATURE ELEMENTS SECTIONAL COMPONENTS



****Corner pieces are 3" longer when specifying extended depth**



- CAP, TRACK, TRACK W/T, ENVELOPE, BEVEL
- ENGLISH
- KEY, RECESSED SOCK
- SOCK

Scale: 1/4" = 1'