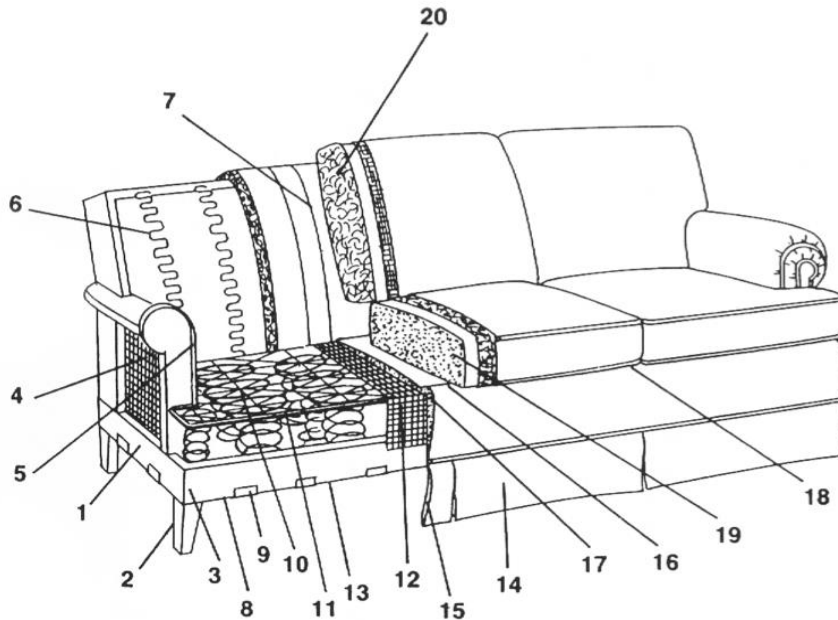


VI. CONSTRUCTION FEATURES

Our company uses the finest of materials combined with pride of craftsmanship to produce fine upholstered furniture. The concern for quality inside the piece of furniture as well as the outside has led us to insist that all twenty key points of construction below are followed on the inside of our product as well as high tailoring and pattern matching standards on the outside to assure you of years of comfort and pleasure.



QUALITY CONSTRUCTION FEATURES

- | | | | |
|---|---|--|---|
| 1. All frames are made of 5/4 Kiln dried hardwoods. | 6. Semi-attached and attached back pieces have wire support for comfort and height. | 11. Spring edge covered with torsion spring supports. | 16. Hand applied and fitted edge roll forms seat edge. |
| 2. All legs are an integral part of the frame. | 7. Cotton and fiber give softness and support for cushion. | 12. Synthetic covering to protect spring base. | 17. Padding covers seat deck and foam edge for comfort and appearance. |
| 3. All joints are double dowelled and glued. All corner blocks are glued and screwed to reinforce the joints. | 8. Solid web base for support. | 13. Dust cover to protect and hide springs from underneath. | 18. All pieces are decked with cotton sateen. |
| 4. Synthetic covering gives inside arm support to resist "sag set". | 9. Steel bands run front to back for additional support and strength. | 14. Skirts are hand fitted and pressed to assure matching and fit. | 19. All loose seat cushions are a core of Ultracel wrapped in a generous amount of down, feathers and/or dacron and encased in a ticking. |
| 5. Edge roll forms arm and back contours to create crisp shape. | 10. Eight way hand tied coil spring base. | 15. All skirts are lined with denim and inner lined for support. | 20. Down, feathers or dacron backs are encased in a ticking. |