



Dimensions will vary based on options selected. Contact Customer Service.
****Sketches shown as 5" Track Arm - To get OW add Arm Width****
 All dimensions are approximate

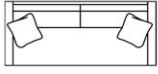
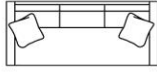
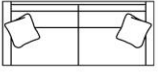

P: (828) 428-8031
 F: (828) 428-3246

1. Pick Your Depth: 21" Seat Depth (19210 Series) 23" Seat Depth (19230 Series) 25" Seat Depth (19250 Series)

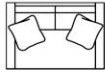
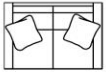
2. Pick Your Style: (sketches are not 1/4" scale)

2-Arm Standard Pieces - OW = ISW + (AW x 2)

Sofa - Qty _____ (XLS = X-Large Sofa - ISW 90" / BS = Big Sofa - ISW 80" / S = Standard Sofa - ISW 70" / SS = Small Sofa - ISW 60")

1 Seat Cushion - 2 Back Cushions	1 Seat Cushion - 3 Back Cushions	2 Seat Cushions	3 Seat Cushions
 <input type="checkbox"/> #XLS1-2 <input type="checkbox"/> #BS1-2 <input type="checkbox"/> #S1-2 <input type="checkbox"/> #SS1-2	 <input type="checkbox"/> #XLS1-3 <input type="checkbox"/> #BS1-3 <input type="checkbox"/> #S1-3 <input type="checkbox"/> #SS1-3	 <input type="checkbox"/> #XLS2 <input type="checkbox"/> #BS2 <input type="checkbox"/> #S2 <input type="checkbox"/> #SS2	 <input type="checkbox"/> #XLS3 <input type="checkbox"/> #BS3 <input type="checkbox"/> #S3 <input type="checkbox"/> #SS3

Loveseat - Qty _____ (L = Loveseat - ISW 46")

 <input type="checkbox"/> #L1	 <input type="checkbox"/> #L2
--	--

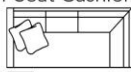
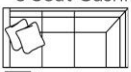

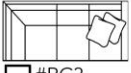
Chair - Qty _____

<input type="checkbox"/> #C (Standard Chair) ISW 21"	<input type="checkbox"/> #O (Ottoman) W 22" D 22"
<input type="checkbox"/> #S (Swivel Chair) ISW 21"	<input type="checkbox"/> #O½ (Ottoman & ½) W 35" D 22"
<input type="checkbox"/> #C½ (Chair & ½) ISW 34"	



Sectional Pieces - OW = ISW + AW (with the exception of the Corner Sofa)

Sketches shown as 5" Track Arm. Dimensions will vary based on options selected. All dimensions are approximate.

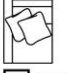

Corner Sofa - Qty _____
 (LC = Left Corner Sofa / RC = Right Corner Sofa)

1 Seat Cushion	3 Seat Cushions	19216 Corner Sofa ISW 68" OW 84" plus arm width
 <input type="checkbox"/> #LC1	 <input type="checkbox"/> #LC3	19236 Corner Sofa ISW 70" OW 86" plus arm width
 <input type="checkbox"/> #RC1	 <input type="checkbox"/> #RC3	19256 Corner Sofa ISW 72" OW 88" plus arm width

Loveseat - Qty _____ (LL/RL - ISW 46" / AL - OW 46")
 (LL = Left Loveseat / RL = Right Loveseat / AL = Armless Loveseat)

1 Seat Cushion	2 Seat Cushions
 <input type="checkbox"/> #LL1 <input type="checkbox"/> #RL1 <input type="checkbox"/> #AL1	 <input type="checkbox"/> #LL2 <input type="checkbox"/> #RL2 <input type="checkbox"/> #AL2

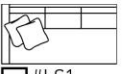

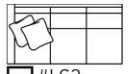



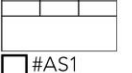
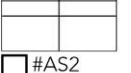
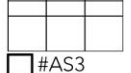
Chair - Qty _____
 (LC = Left Chair / RC = Right Chair / AC = Armless Chair)

 <input type="checkbox"/> #LC	 <input type="checkbox"/> #RC	<input type="checkbox"/> #AC
LC - ISW 23"	RC - ISW 23"	AC - OW 23"

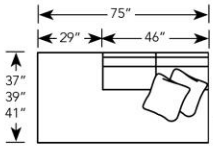
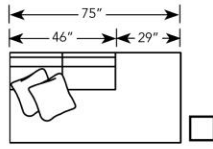
Ottoman - Qty _____
 (SCO = Small Chaise Ottoman / BCO = Big Chaise Ottoman)

<input type="checkbox"/> #SCO	<input type="checkbox"/> #BCO
SCO - W 23½" D 23½" H 20"	BCO - W 35" D 35" H 20"

Sofa - Qty _____
 (LS = Left Sofa / RS = Right Sofa - ISW 70" // AS = Armless Sofa - OW 70")

1 Seat Cushion	2 Seat Cushions	3 Seat Cushions
 <input type="checkbox"/> #LS1	 <input type="checkbox"/> #LS2	 <input type="checkbox"/> #LS3
 <input type="checkbox"/> #RS1	 <input type="checkbox"/> #RS2	 <input type="checkbox"/> #RS3
 <input type="checkbox"/> #AS1	 <input type="checkbox"/> #AS2	 <input type="checkbox"/> #AS3

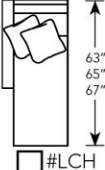
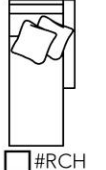


Lounge - Qty _____
 (LL = Left Lounge / RL = Right Lounge)

 <input type="checkbox"/> #LL	 <input type="checkbox"/> #RL
19210 Series: OW 75" / OD 37"	19230 Series: OW 75" / OD 39"
19250 Series: OW 75" / OD 41"	

Chaise - Qty _____
 (LCH = Left Chaise / RCH = Right Chaise)

19214 Series: ISW 23" / OD 63"
 19234 Series: ISW 23" / OD 65"
 19254 Series: ISW 23" / OD 67"

19214½ Series: ISW 35" / OD 63"
 19234½ Series: ISW 35" / OD 65"
 19254½ Series: ISW 35" / OD 67"

 <input type="checkbox"/> #LCH	 <input type="checkbox"/> #RCH	 <input type="checkbox"/> #LCH½	 <input type="checkbox"/> #RCH½
---	---	--	--

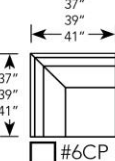
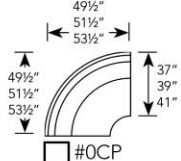
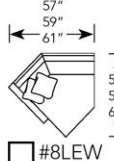
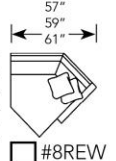
Wedge - Qty _____
 (6CP = Corner Wedge / OCP = Curved Wedge / LEW = Left End Wedge / REW = Right End Wedge)

19216CP - OW 37" x OD 37"
 19236CP - OW 39" x OD 39"
 19256CP - OW 41" x OD 41"

19218LEW - OW 57" x OD 57"
 19238LEW - OW 59" x OD 59"
 19258LEW - OW 61" x OD 61"

19210CP - OW 49½" x OD 37"
 19230CP - OW 51½" x OD 39"
 19250CP - OW 53½" x OD 41"

19218REW - OW 57" x OD 57"
 19238REW - OW 59" x OD 59"
 19258REW - OW 61" x OD 61"

 <input type="checkbox"/> #6CP	 <input type="checkbox"/> #OCP	 <input type="checkbox"/> #8LEW	 <input type="checkbox"/> #8REW
---	--	--	--

Dimensions will vary based on options selected. Contact Customer Service.
 Please make sure to fax both pages to our Customer Service Department.

Revised: 04/2020

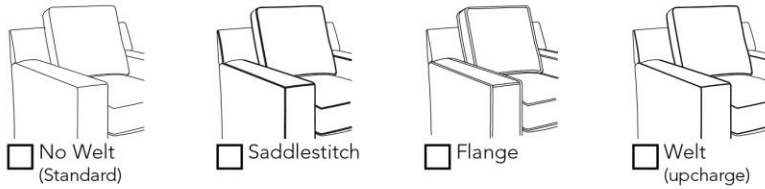


Dimensions will vary based on options selected. Contact Customer Service.
Please make sure to fax both pages to our Customer Service Department.

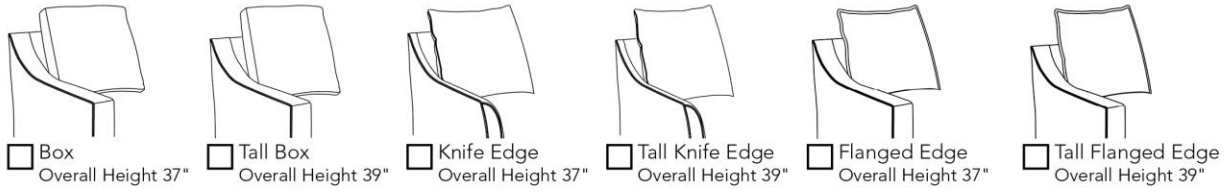
Templefurniture

P: (828) 428-8031
F: (828) 428-3246

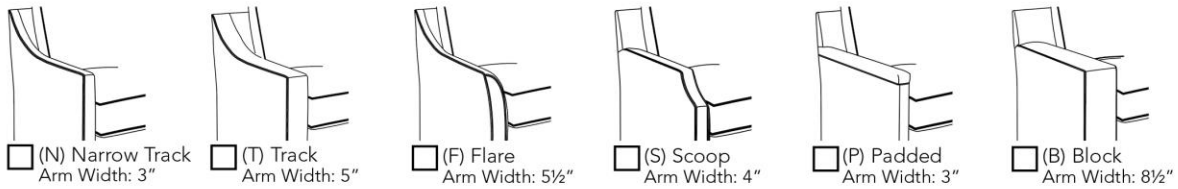
3. Pick Your Welt: (Arms, Seat Cushions and Back Cushions only)



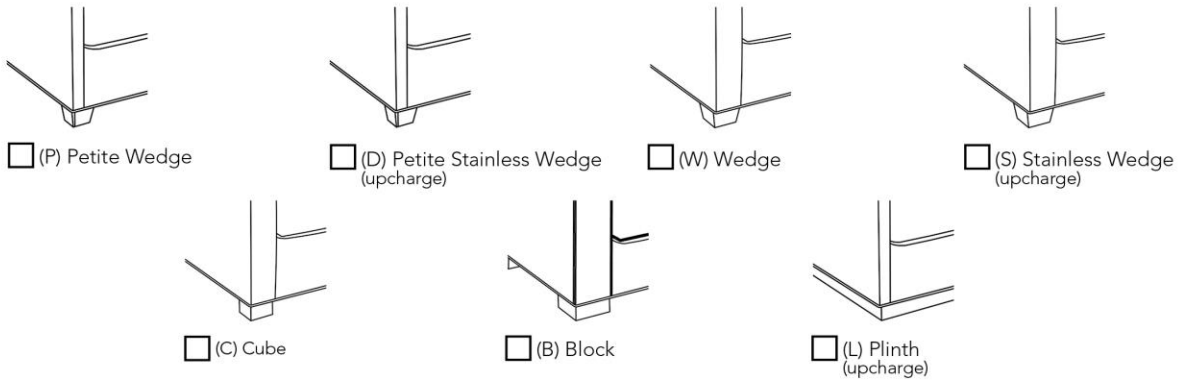
4. Pick Your Back and Height: (Loose back only. / Back pillows only.)



5. Pick Your Arm: *Dimensions are approximate*



6. Pick Your Base: (Select Finish, if needed: _____)



Company Name: _____ PO#: _____ Date: _____

Body Fabric: _____ Pillow Fabric: _____

*** Dimensions will vary based on options selected. Contact Customer Service. ***
Please make sure to fax both pages to our Customer Service Department.

Revised: 04/2020