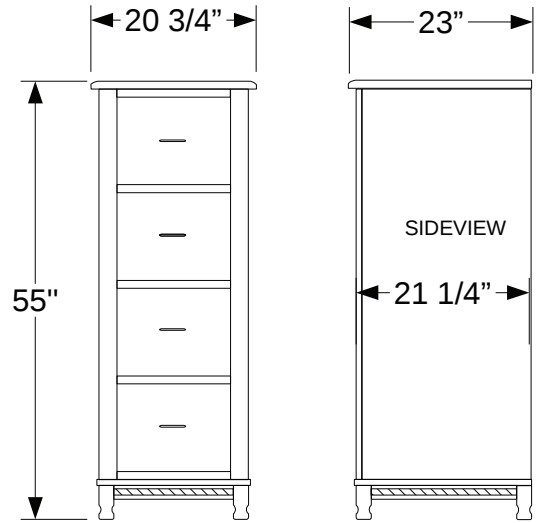


# HS-9017 - 4 Drw. File

## Standard Features

1. Solid hardwood, Dovetailed , drawer Box construction
2. Full Extension drawer slides
3. 1" thick tops
4. Adjustable floor glides
5. letter file capacity
5. 3/4" Rope molding on base

For pricing go to ( HS- OFFICE) Page 3

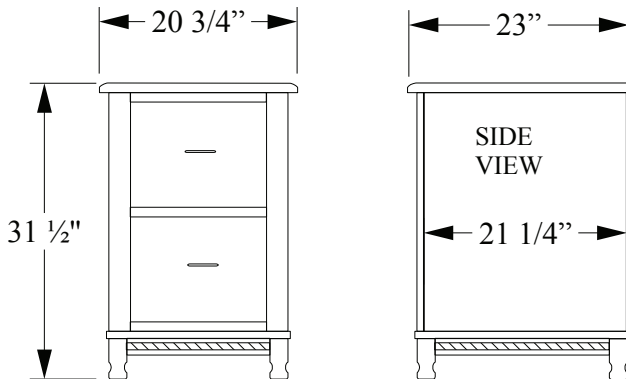


## Options

1. Locks

# HS-9018 - 2 Drw. File

For pricing go to ( HS- OFFICE) Page 3



## Standard Features

1. Solid hardwood ,Dovetailed , drawer Box construction
2. Full Extension drawer slides
3. 1" thick tops
4. Adjustable floor glides
5. letter file capacity
5. 3/4" Rope molding on base

## Options

1. Locks

# HS-9016 & HS-9216

## Standard Features

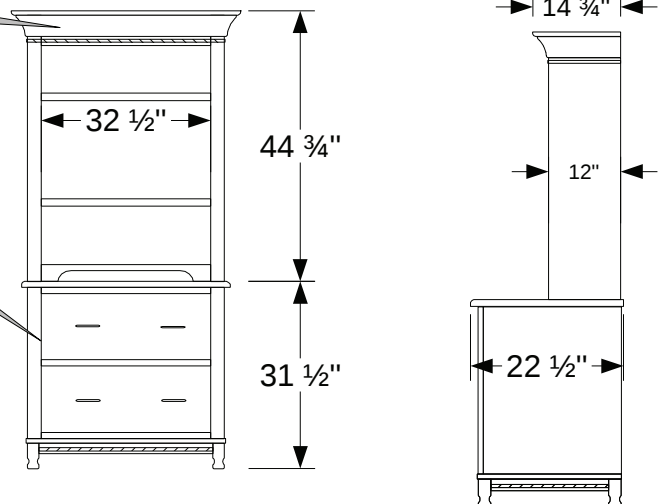
1. Solid hardwood Dovetailed , drawer Box construction
2. Full Extension drawer slides
3. 1" thick tops
4. Adjustable floor glides
5. Legal and letter file capacity
5. 3/4" Rope molding on base , 1/2" on hutch

#9216 Hutch

#9016 Base

## Options

1. Locks
2. With Hutch



: HS16