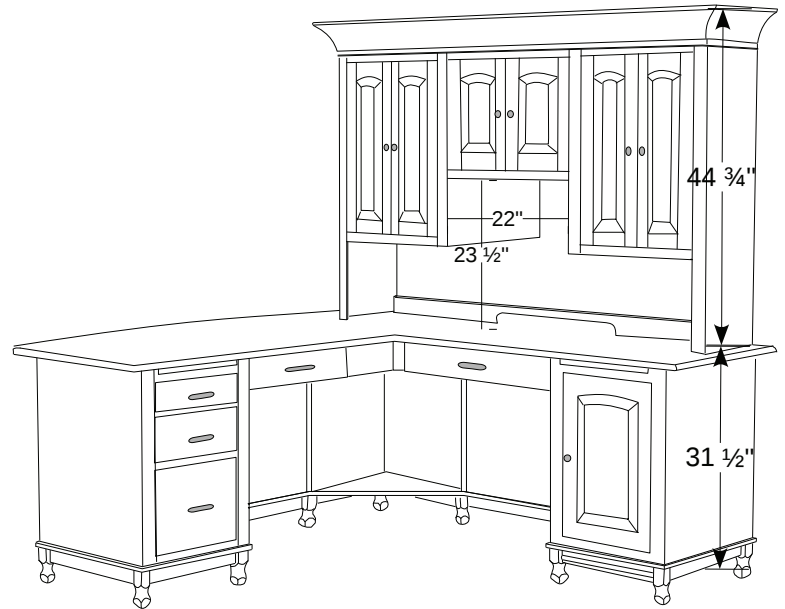
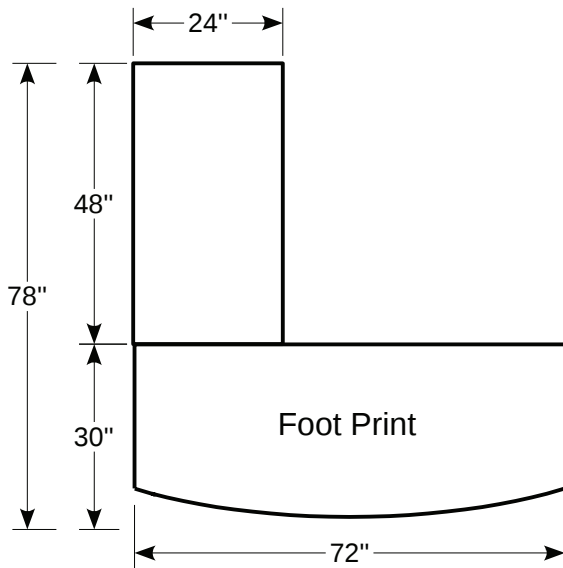


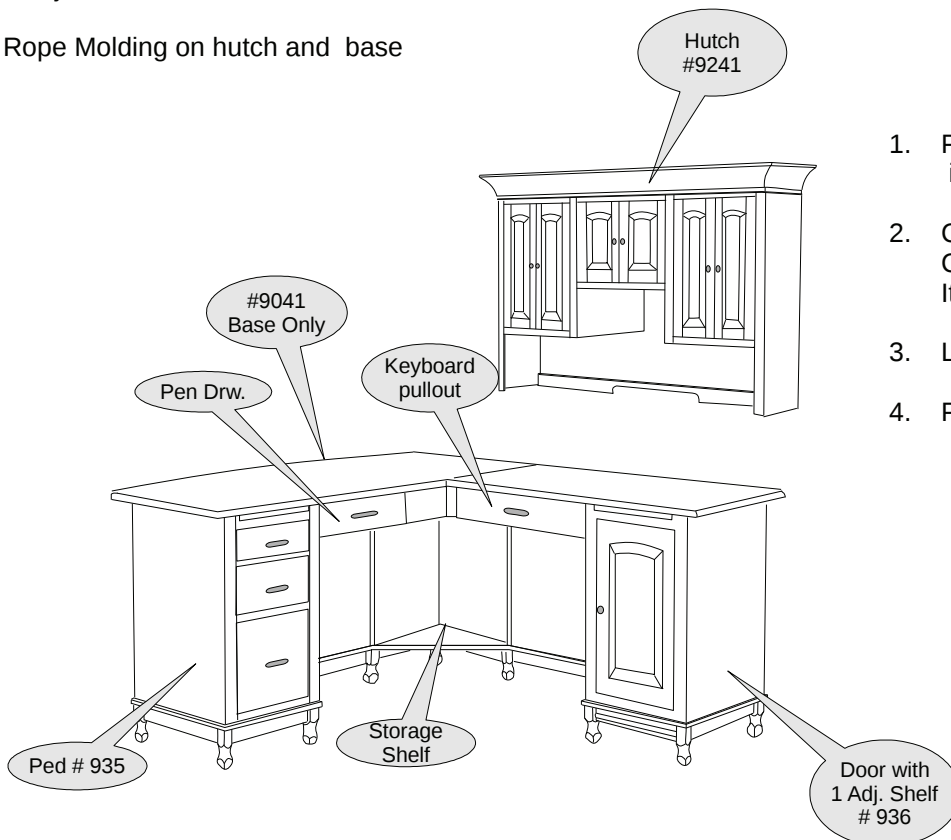
HS-9041 3 pc. "L" Corner Desk

For pricing go to (HS- OFFICE) Page 3



Standard Fetures

1. Solid hardwood, Dovetailed drawer Box construction
2. Full Extension drawer slides
3. 1" thick tops
4. Adjustable floor glides
5. writing board pullout on each Ped.
6. 1 adj shelf in Ped. # 936
7. Rope Molding on hutch and base



Options

1. Ped. #934 #936 and #935 Available in any Combination
2. Call with any other size or design Changes and we will do a Quote. It helps if you can Fax a sketch
3. Locks on Door's and Drawers
4. Puck Lights